



SMARTdri™

Operation and Maintenance Manual

SMARTdri is the intelligent hand dryer that offers the best energy efficiency on the market. It is the latest in product development from industry leaders World Dryer, and is exclusively available from Warner Howard in the UK. It features a totally different type of motor, which enables the dryer to operate effectively whilst using a very low level of energy consumption.

This new technology means that SMARTdri provides a whole new level of durability and therefore offers a full 5 year on-site guarantee – the only dryer in its class to do so.

SMARTdri offers the biggest energy savings on the market and is totally adaptable to your individual requirements. It has three different power output settings and the option to have the heating element turned on or off. Its new, patent-pending technology, ensures a fast dry time of around 10-15 seconds even at the lowest setting.

SMARTdri also features SteriTouch® antibacterial surface protection on the cover of the white unit and in the air flow path of the white and chrome units.

In addition, SMARTdri has an easily replaceable, washable air filter, which reduces fluff and other debris entering the motor by up to 95%, ensuring trouble-free operation for many years.

- Three power output settings
- Optional heating element
- 5 year on site guarantee
- Low emissions
- SteriTouch antibacterial protection
- Available in white or polished chrome



Electrical Specification

Models	Type	Electrical Input	Rated Amperage	Rated Watts
K4-XXX	Automatic	208 - 240VAC, 50/60Hz	5.2A	1250

Installation

Hand dryers require a dedicated 20amp circuit, and must be properly grounded. GFI Circuit protection is recommended.

The dryer must be connected to the supply via a fused double pole isolating switch.

The dryer must be earthed.

All wiring must conform to the current IEE regulations.

Adjusting Dryer Controls

K4-XXX Series Models

Motor Setting	Power Usage (Watts)	
	Heater "OFF"	Heater "ON"*
Hi	850	1250
Med	600	1000
Low	425	825

* Heating element wattage is 400W maximum.

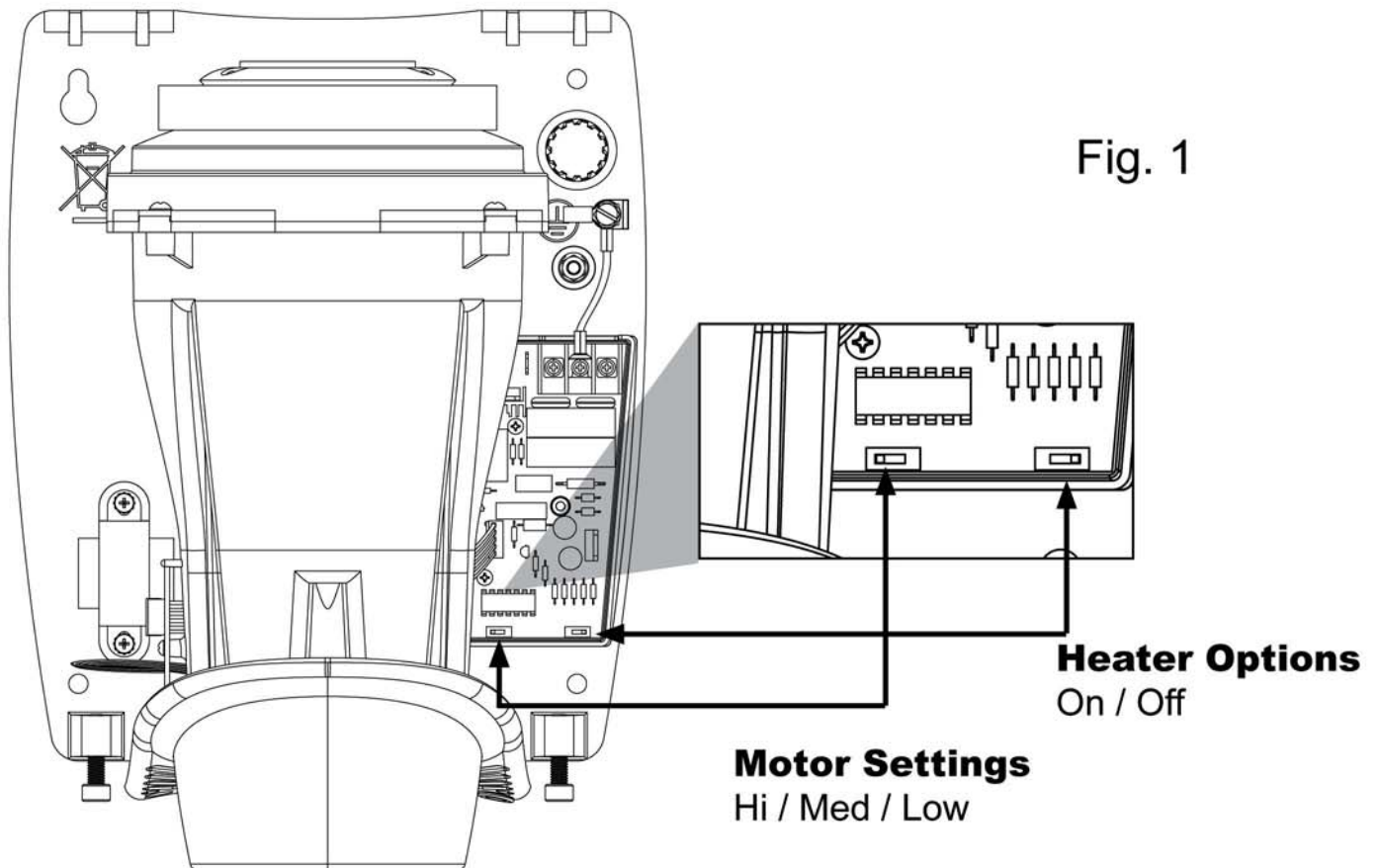
The hand dryer has adjustable controls for (3) levels of operation – Hi, Med and Low. The dryer can be operated with the heating element "ON" or "OFF". The dryer's power usage for the range of operation is shown

Note: The factory setting for the dryer controls is motor "Hi" and heater "OFF"

The adjustable dryer controls are located on the printed circuit board inside the dryer's wiring compartment.

To adjust dryer controls:

1. Disconnect the power source.
2. Use the security hex key supplied to turn the cover mounting screws **clockwise** to remove the cover from the dryer.
3. Remove the wiring compartment cover to access the adjustable controls (see Fig. 1).
4. Adjust motor setting and heater as desired, and replace wiring compartment cover.
5. Reassemble the dryer cover using the security hex key supplied to turn the cover mounting screws **counter-clockwise** and tighten until snug. Do not over tighten.



Maintenance and Cleaning Instructions

IMPORTANT: *The dryer has an air filter to prevent lint and debris build up that can damage the motor and heating element. Routine replacement or cleaning of the air filter is needed to maintain the dryer in good operating condition. With light to moderate wash room traffic, replacing or cleaning the air filter once a year is recommended. If the wash room traffic is high, the air filter should be replaced or cleaned every 6 months. Read complete instruction before proceeding.*

To replace or clean the air filter:

1. Disconnect the power source.
2. Use the security hex key supplied to turn the cover mounting screws clockwise to remove the cover from the dryer.
3. Removing and replacing the air filter is easily done by gently stretching and lifting the air filter around the motor inlet cover.
4. To clean the air filter, remove from motor inlet cover. Use soft-medium bristle ½" paint brush to clean lint, dust and debris from the filter. If air filter cannot be completely cleared of debris, replace the filter.
5. After replacing the air filter onto the motor inlet cover, reassemble the dryer cover using the security hex key supplied to turn the cover mounting screws counter-clockwise and tight until snug. Do not over tighten.

Troubleshooting Chart

Dryer fails to start.	A) No power to unit.	Check power to unit and connections.
	B) Defective motor.	Replace motor.
	C) Defective IR sensor.	Replace IR sensor assembly.
	D) Defective dryer controls.	Replace dryer controls.
Dryer will not shut off or runs 30 seconds, then will not re-start.	A) Sensor is dirty, defective or there is a reflection.	1. Check infra-red eye for dirt or damage. Use plastic lens cleaning solution and a soft cloth. Dry lens with a soft cloth.
		2. Make sure that sensor is not getting a reflection from another object.
		3. After electricity has been applied to the dryer, it should turn on within few seconds. Test by placing hands 2 - 5 inches (51 - 127 mm) below the nozzle.
B) Defective dryer controls.	Replace dryer controls.	
Dryer air output is slow.	A) Motor setting is incorrect.	Adjust motor setting. See pg.3 of instructions.
Dryer air is not warm.	A) Heater is in the "OFF" position.	Adjust heater to "ON" position. See page 3 of instructions.
	B) Defective heating element.	Replace heating element assembly.
	C) Defective dryer controls.	Replace dryer controls.

Warner Howard
 Claymore, Tame Valley Industrial Estate, Tamworth, Staffordshire B77 5DQ
 Tel: 0870 850 4352 Fax: 0870 850 4354
 Email: enquiries@warnerhoward.co.uk
www.warnerhoward.co.uk