



Operation and Maintenance Manual

SM48



This unit should be installed by a qualified electrical engineer. Children and vulnerable adults should be adequately supervised during the installation of this hand dryer.

1. Unit Design

This automatic hand dryer is equipped with an infra-red sensing device that drives a centrifugal fan and supplies warm air by means of a heater.

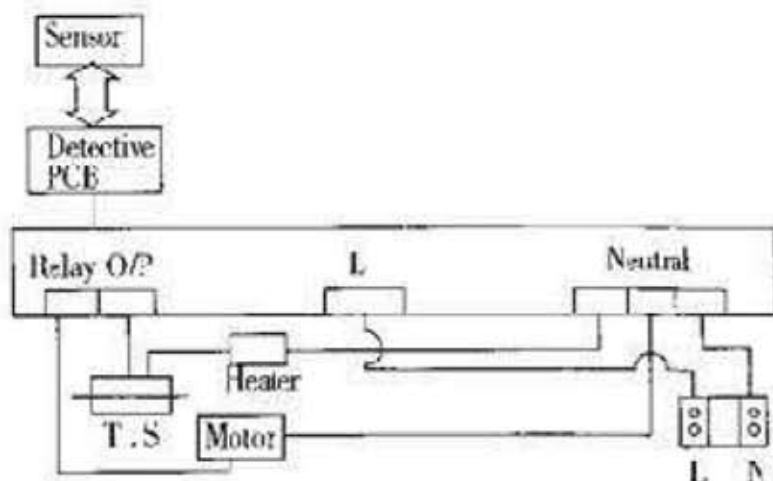
2. Features

1. The unit operates automatically when hands are placed within 12cm of the nozzle.
2. The sensor activates the unit with a 0.5 second delay to avoid unnecessary activation.
3. A built-in safety device switches the unit off if the temperature rises above 65°C.
4. The unit will switch off if operated continuously for over 1 minute.
5. The concentrated air flow will dry hands efficiently in 30-45 seconds.
6. The dryer does not operate if the cover has not been correctly fitted.

3. Specification

ON/OFF	Operation by automatic sensor
Dimensions	290(W) x 225(H) x 180 (D)
Adjustable sensing range	12±3cm
Air Temperature	48°C-60°C (at 25°C ambient)
Operation duration	1 minute
Motor speed	2830rpm
Heater power	1750W
Power output	1800W

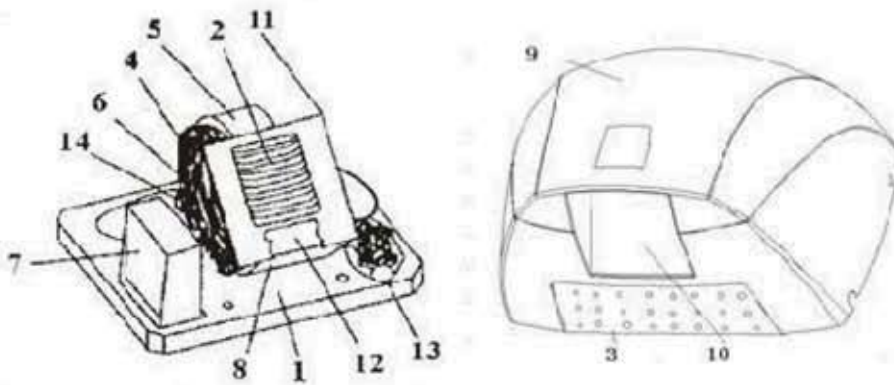
4. Circuit Diagram



Incorrect wiring of this electrical device may lead to electrocution or damage to property. Installation must only be carried out by a qualified electrical engineer.

1. The Ingress Protection rating of this SM48 hand dryer is IPX1
2. Do not spray water directly at the dryer.
3. Switch off the device at the mains prior to cleaning. Use a non-abrasive damp cloth to clean the unit.
4. If the unit is malfunctioning, switch it off immediately and contact a qualified electrical engineer.
5. If the power cord is damaged it must be replaced by a qualified electrical engineer.

5. Construction Diagram

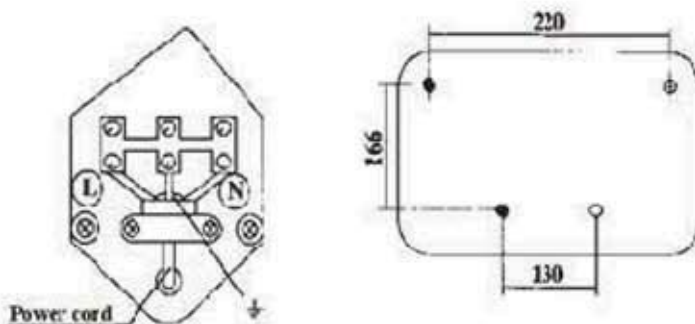


Item No.	Description	Item No.	Description
1	Base plate	8	Sensor cap
2	Nozzle grill	9	Body cover
3	Air intake grill	10	Nozzle
4	Heater	11	Motor
5	Fan cover	12	Sensing device
6	Fan blade	13	Electric terminal
7	Control PCB	14	Thermostat

6. Adjusting the sensing distance

Remove the body cover (9) and open the cover of the Control PCB (7).
Adjust the potentiometer (W1) clockwise with small screwdriver to increase the sensing distance.

7. Installation instructions



8. Troubleshooting

Problem	Diagnosis	Solution
Unit does not operate	Power off	Check power
	Sensor lead wire loose	Connect the lead wire
	Sensing distance too short	Adjust sensing distance
	Sensing device damaged	Call 0870 850 4352
No hot air	Heater wire broken	Call 0870 850 4352
Motor not on	Motor damaged	Call 0870 850 4352

Warner Howard

Claymore, Tame Valley Industrial Estate, Tamworth, Staffordshire B77 5DQ
Tel: 0870 850 4352 Fax: 0870 850 4354 enquiries@warnerhoward.co.uk www.warnerhoward.co.uk