



Classic Range

Operation and Maintenance Manual

The World Dryer Classic Range of hand dryers is the most recognisable and iconic range of hand dryers on the market - and they are only available from Warner Howard.

Tried and trusted for more than 60 years, they are renowned for their longevity and reliability - you really can just 'fit and forget' them - and, in the unlikely event of something going wrong, these products are supported by a full range of parts and a 5 year on-site warranty.

Ideal for public washrooms with high traffic, or any environment which requires a long lasting dryer, these units are the workhorses of the industry and will run and run, providing peace of mind for the end user.

- Vandal resistant
- Ideal for public areas
- Manual or push button operation
- 360 degree swivel nozzle
- Surface or recess mounted
- Chromium plated fittings



Model A Product Specifications

Electrical

	115 V	115 V	208 - 230 V	220 - 240 V	277 V
Amps	20	15	10	10	8.5
Watts	2300	1725	2300	2300	2300
Hz	60	60	60	50	60

Surface Mounted

Unit Size (HxWxD) 9.5" x 11.3" x 8.3" 241 mm x 287 mm x 211 mm

Shipping Size (HxWxD) 12.5" x 14.4" x 10.1" 317 mm x 366 mm x 256 mm

Recessed Mounted

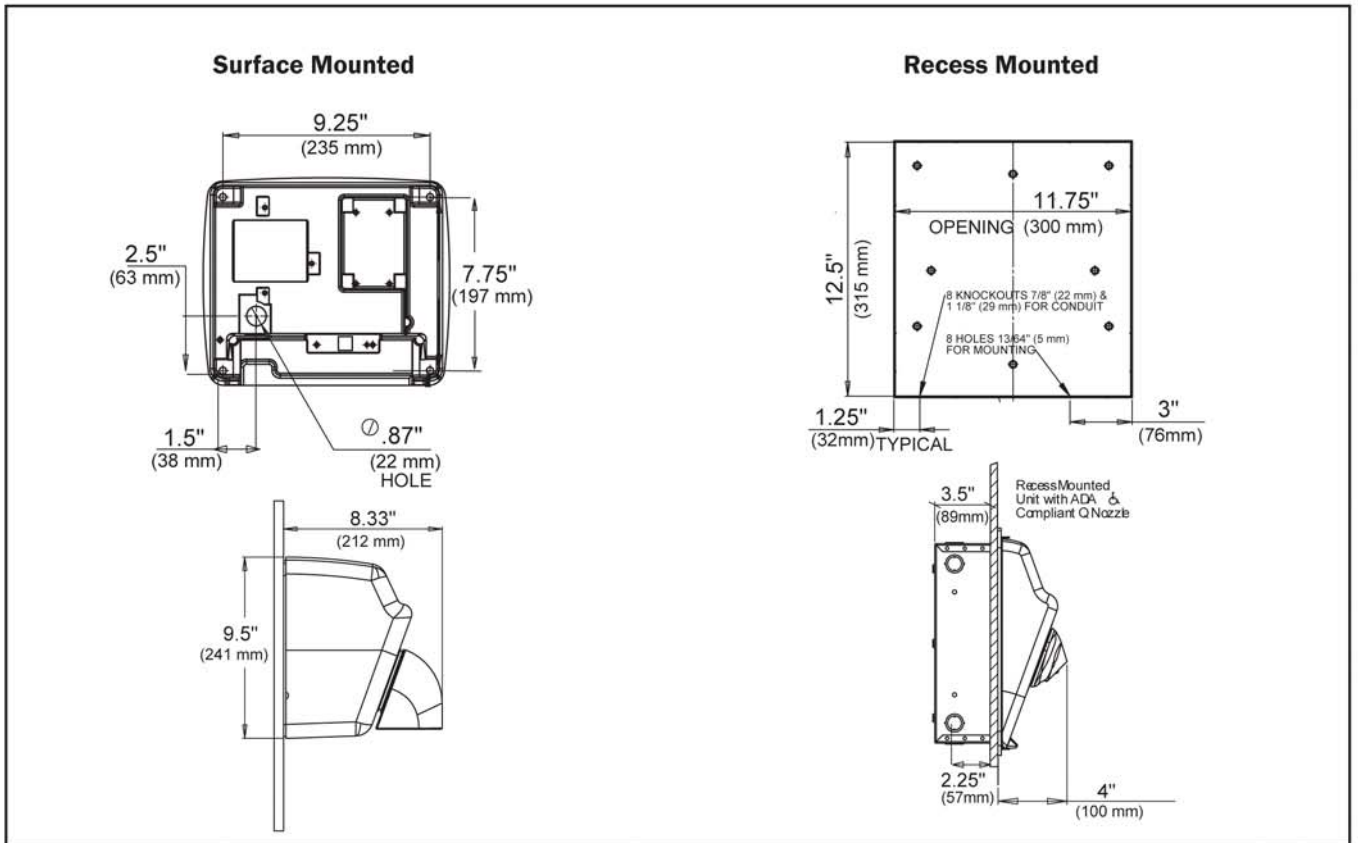
Unit Size (HxWxD) 13.8" x 13.1" x 4" 351 mm x 333 mm x 102 mm

Shipping Size (HxWxD) 15" x 15" x 11.25" 381 mm x 381 mm x 286 mm

Architecture & Engineering Specifications

World Dryer Model A hand dryers shall include a cover made of 1/4" thick cast iron with porcelain enamel finish. Optional 14GA polished or brushed finish #304S.S. or epoxy enamel finish C.R. Steel. Motor shall be universal type, 1/10 HP at 7500 RPM. Dryers shall deliver 154 cubic feet per minute of air volume (7300 LFM). Timer shall be electro-mechanical cam-style with 25 AMP rated switch to operate dryer for 30 second period. Infrared sensor detect hands, initiates and terminates drying cycle. High-tech sensor control to provide 1,000,000 dry cycles. Recessed units use a 16-gauge steel wall mounting box. Hand dryers shall be listed under reexamination service of Underwriters Laboratories, Inc.

Operation	Cover Finish	Cover Material	Mounting	Unit Weight	115 V, 15 Amp Stock #	115 V, 20 Amp Stock #	208-230 V Stock #	220 -240 V Stock #	277 V Stock #
Push-Button	White	Cast Iron	Surface	29 lbs/13.15 kgs	A52-974	A5-974	A54-974	A548-974	A57-974
Automatic	White	Cast Iron	Surface	29 lbs/13.15 kgs	XA52-974	XA5-974	XA54-974	XA548-974	XA57-974
Push-Button	White	Stamped Steel	Surface	18 lbs/8.16 kgs	DA52-974	DA5-974	DA54-974	DA548-974	DA57-974
Automatic	White	Stamped Steel	Surface	18 lbs/8.16 kgs	DXA52-974	DXA5-974	DXA54-974	DXA548-974	DXA57-974
Push-Button	Polished	Stainless Steel	Surface	18 lbs/8.16 kgs	DA52-972	DA5-972	DA54-972	DA548-972	DA57-972
Automatic	Polished	Stainless Steel	Surface	18 lbs/8.16 kgs	DXA52-972	DXA5-972	DXA54-972	DXA548-972	DXA57-972
Push-Button	Brushed	Stainless Steel	Surface	18 lbs/8.16 kgs	DA52-973	DA5-973	DA54-973	DA548-973	DA57-973
Automatic	Brushed	Stainless Steel	Surface	18 lbs/8.16 kgs	DXA52-973	DXA5-973	DXA54-973	DXA548-973	DXA57-973
Push-Button	White	Cast Iron	Recessed	35 lbs/15.8 kgs	RA52-974	RA5-974	RA54-974	RA548-974	RA57-974
Automatic	White	Cast Iron	Recessed	35 lbs/15.8 kgs	XRA52-974	XRA5-974	XRA54-974	XRA548-974	XRA57-974
Automatic	Brushed	Stainless Steel	Recessed	28 lbs/12.7 kgs	DXRA52-973	DXRA5-973	DXRA54-973	DXRA548-973	DXRA57-973



Installation

The dryer must be connected to the supply via a fused double pole isolating switch.

The dryer must be earthed.

All wiring must conform to the current IEE Regulations

One side of the dryer should be mounted to a stud.

Certification Approved



IPX1

